

## ADDRESSABLE SOUNDER/STROBE

### DESCRIPTION

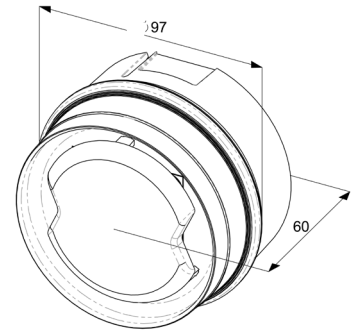
The Addressable Loop Sounder/Strobe is a loop driven audible and visual warning device. The device is fitted with an integral sounder capable of providing one of 6 different tones and operating at 65, 80 or 85dB(A) dependant on programming, also included is a 16 LED strobe unit to provide visual indication in an alarm condition. Short circuit isolators are built into the device in order to protect the system in the event of a cable fault.

This sounder/strobe is compatible with Fike's SITA200plus, Duonet and Quadnet intelligent control panels. Its operating parameters are configured using the panel's programming software and are stored within the Flash memory in the device. This on-board intelligence allows each device to report and respond directly to the control panel without having to wait until it is polled. This enhanced digital protocol means less information is needed to be sent between the device and the host control panel, resulting in faster, more reliable communication.

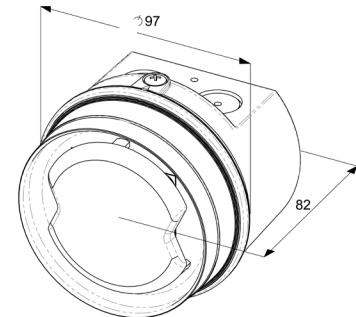


### SPECIFICATIONS

Dimensions:  Operating Temperature: Voltage Range: Sounder Volume:  IP Rating: Strobe Operation: System Compatibility:  Battery Current @ 24V DC:  Device Loading Unit Rating:	Diameter: 97mm Depth: Low Profile Base 60mm Depth: Deep Base 82mm -10°C to +50°C. 24V to 42V DC Low: 65dB(A) + Medium: 80dB(A) High: 85dB(A) IP21C 5ms on / 1s interval SITA200plus: V2.30 onwards Duonet and Quadnet: V1 onwards Quiescent: 0.172mA Active: No Sounder 18.750mA Active: Low Sounder 19.792mA Active: Med Sounder 23.958mA Active: High Sounder 28.125mA No Sounder: 9 Low Sounder: 9.5 Med Sounder: 11.5 High Sounder: 13.5
--	--



**Low Profile Base**  
(All measurements shown are in millimetres)



**Deep Base**  
(All measurements shown are in millimetres)

### ORDERING INFORMATION

Fike P/N	Description
326 0021R	Sounder/Strobe – Low Profile Base - RED
326 0023R	Sounder/Strobe – Deep Base - RED

### TERMINAL DEFINITIONS

L1	(+) Loop In	0V	(-) Loop In / Out
L2	(+) Loop Out	SCRN	Loop Screen In / Out

### APPROVALS



331j/01, 331j/02, 331j/03 and 331j/04

Approved to: EN54 Part 3 and EN54 Part 17

Form No. FST.2.04.01-1

*(This page is left blank intentionally)*

