

ADDRESSABLE MULTIPOINT ASD DETECTOR/SOUNDER/STROBE

DESCRIPTION

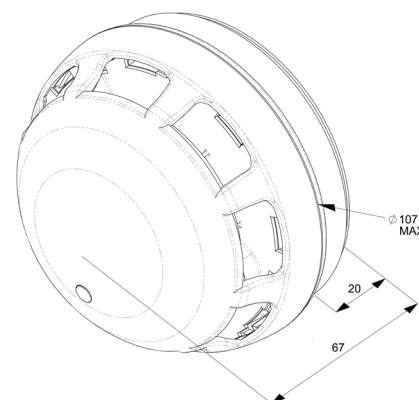
The Addressable Multipoint ASD is a plug-in type smoke detector that utilizes a photo-electric sensing chamber to make a measurement corresponding to smoke density. The device also incorporates a thermistor sensing circuit to allow for accurate heat measurement. These elements allow the device to be configured to one of 3 smoke, 3 heat or a combined setting. The device can also be fitted with an integral sounder or sounder/strobe capable of providing one of 7 different tones, operating at 65, 80 or 85dB(A) dependant on programming. This feature reduces the requirement for fitting extra annunciation devices. The detector is designed with a single colour red LED to indicate the device status; 400ms flashing indicates that the detector has been activated, 5 second flashing indicates the detector is in fault and 20 second flashing indicates a normal condition. Short circuit isolators are also built into the device in order to protect the system in the event of a cable fault.



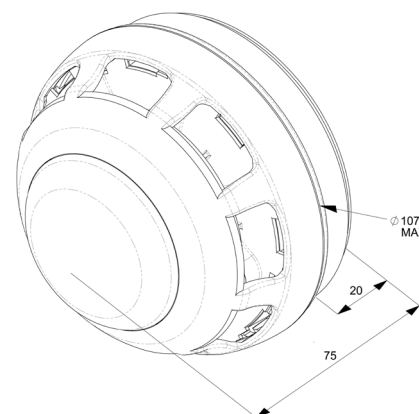
This detector is compatible with Fike's SITA200plus, Duonet and Quadnet intelligent control panels. Its operating parameters are configured using the panel's programming software and are stored within the Flash memory in the device. This on-board intelligence allows each detector to report and respond directly to the control panel without having to wait until it is polled. This enhanced digital protocol means less information is needed to be sent between the detector and the host control panel, resulting in faster, more reliable communication.

SPECIFICATIONS

| | |
|-----------------------------|--|
| Dimensions: | Diameter: 107mm Depth: Standard inc base 67mm Depth: Strobe inc base 75mm |
| Operating Temperature: | -10°C to +50°C. |
| Voltage Range: | 24V to 42V DC |
| LED Indication: | Normal: 50ms on / 20ms interval Fault: 0.1ms on / 5s interval Fire: 50ms on / 400ms interval |
| Sounder Volume: | Low: 65dB(A)+ Medium: 80dB(A)+ High: 85dB(A) |
| Strobe Operation: | 5ms on / 1s interval |
| System Compatibility: | SITA200plus: V2.30 onwards Duonet and Quadnet: V1 onwards |
| Battery Current @ 24V DC: | Quiescent: 0.12mA Active: No Sounder 2.07mA (8.32mA with strobe) Active: Low Sounder 3.09mA (9.34mA with strobe) Active: Med Sounder 8.39mA (14.64mA with strobe) Active: High Sounder 12.17mA (18.42mA with strobe) |
| Device Loading Unit Rating: | No Sounder: 1 (4.5 with strobe) Low Sounder: 1.5 (5 with strobe) Med Sounder: 4.5 (8 with strobe) High Sounder: 6 (10 with strobe) |



Multipoint ASD
(All measurements shown are in millimetres)



**Multipoint ASD
with Sounder and Strobe**
(All measurements shown are in millimetres)

APPROVALS



331n/01, 331f/01, 331f/02.

Approved to: EN54 Part 5, EN54 Part 7, EN54 Part 17
(Sounder version is also approved to EN54 Part 3)

Form No. FST.2.01.01-1

ORDERING INFORMATION

| Fike P/N | Description |
|----------|--|
| 205 0001 | Multipoint ASD |
| 205 0003 | Multipoint ASD with Sounder |
| 205 0012 | Multipoint ASD with Sounder and Strobe |

DETECTOR AND SOUNDER SETTINGS

| | Type | Description |
|----------------|--|---|
| Smoke Modes | SM1 | Thermally enhanced optical detector. Used where ionization detectors are normally fitted, especially where there are high ceilings or a risk of free burning fires. |
| | SM2 | Enhanced optical. General purpose smoke detector. To be used where optical detectors are normally fitted, where there is a risk of a smouldering fire (and for escape routes). |
| | SM3* | Enhanced optical with smoke pulse rejection. Used where optical detectors are normally used in positions exposed to brief concentrations of smoke or water vapour e.g from a bathroom, kettle, etc. |
| Heat Modes | HM1 | Rate of rise to 58°C. Used where a standard rate of rise detector would be fitted, e.g. not kitchens. |
| | HM2 | Low fixed temperature 58°C. Used where a standard fixed temperature heat detector would normally be fitted. |
| | HM3* | High fixed temperature 90°C. Used where a high fixed temperature heat detector would normally be fitted. |
| Sound Patterns | SP0 | Sounder off |
| | SP1 | Single tone, 970 Hz continually |
| | SP2 | Pulsed UK alert signal, 970 Hz 1s on, 1s off |
| | SP3 | Dual tone UK evacuate signal, 970 Hz 0.25s, 800 Hz 0.25s |
| | SP4 | Sweep up, 800 Hz to 970 Hz over 1s |
| | SP5 | Slow whoop up, 500 to 1200 Hz over 3s, 0.5s off |
| | SP6 | Sweep down, 1200 Hz to 500 Hz over 1s |
| SP7 | Dual tone French warble, 550 Hz 0.1s, 440 Hz 400ms | |
| Sound Volume | L/M/H | Low 65dB(A), medium 80dB(A) and high 85dB(A) settings are available. |

* Non LPCB certified.

TERMINAL DEFINITIONS

| | | | |
|----------|---------------------------------------|-------------|--------------------------------------|
| 1 | (-) Loop In/Out (Remote indicator 0V) | 4 | (+) Auxiliary (Remote indicator +VE) |
| 2 | (+) Loop In | 5 | (-) Auxiliary |
| 3 | (+) Loop Out | SCRN | Loop Screen In/Out |

