

# CASB393, CASB393WP - Intelligent addressable open class visual alarm device (VAD)



The intelligent addressable open class visual alarm device (CASB393) offers low current consumption, multiple sound output levels and LED visual notification.

The open class VAD comes in two variants, the standard CASB393 and the weatherproof CASB393WP, which is IP66 rated meaning it is ideal for outdoor locations.

Both variants of the open class VAD are suitable for markets where EN54-23 VADs are a requirement.

## Features and benefits

- Integral short circuit isolator
- Loop powered
- Soft addressed
- Quick and simple to install
- Selectable tones controlled by the panel
- Adjustable volume controlled by the panel
- IP66 version available as both an internal and weatherproof variant available
- Easy to maintain/service

# Specifier's guide

## 2.4 Accessories

### Technical specification

Code	CASB393, CASB393WP
Supply Voltage	19 – 30vdc
Cable Size / type	0.5 - 2.5mm/ FIRETUF, FP200 or MICC
Standby current	< 450 uA
Operating temperature	-10 to +55 degrees C (95%RH)
Sound output @ +/-3dB (set by panel)	Low volume : 87dB @ <8.6mA Medium volume : 93dB @ <10mA High volume : 100dB @ <11mA
Environment Category CASB393	Type A
Environment Category CASB393WP	Type B
Compliance	EN54-3 Fire Alarm Device – Sounder EN54-17:2005 EN54-23:2010 Fire Alarm Device - VAD
Tones (set by panel)	Continuous 984Hz Pulsed 984 / 0Hz pulse 1Hz* Two Tone 644 / 984Hz @ 1Hz cycle Slow whoop 500-1200Hz in 3.5 seconds / 0.5secs gap
Beacon	0.5Hz Flash
Total Loop Resistance for correct operation of short circuit isolator	50Ω (max)
Parallel Fault Resistance to be seen at the Control Panel for isolators to open	200Ω (typ)
Continuous Current allowable through isolator	700mA (max)
Isolator Resistance in closed state	0.26Ω (max)
Leakage Current into direct short circuit with isolator open	14mA (max)
Voltage at which isolator changes from open to closed or closed to open state	3.8V to 11V
Maximum switching current of isolator	1.5A

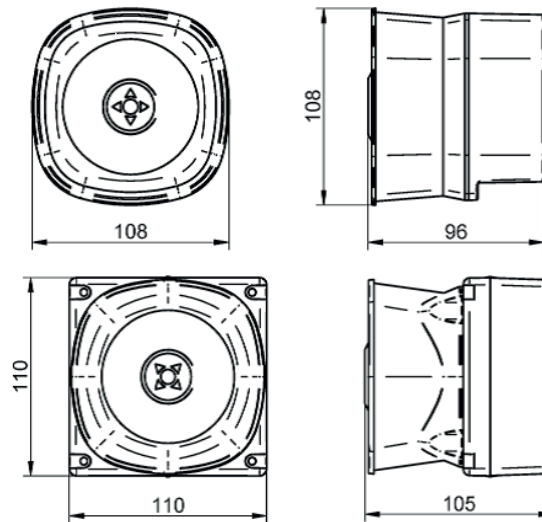
### Installation

1. Installation is simple using first fix base.
2. First fix base is fixed to mounting surface via 2 fixings holes.
3. Cables entry can be rear or side
4. Main body is then clipped into place on base, main body locks into place when pressed into position.
5. Cables pass through aperture in sounder body and terminate at the front.
6. Connections are to connector block on main sounder body.

### System functionality

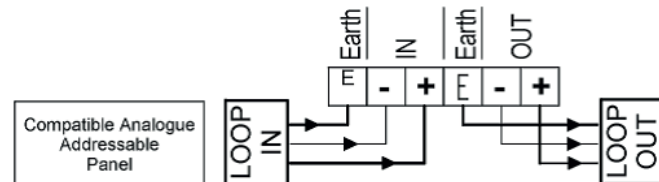
1. Volume and tone are set by control panel, no need to access sounder to alter setting.
2. Soft addressed.

### Dimensions



Description	H (mm)	W (mm)	D (mm)
CASB393 (Top)	108	108	96
CASB393WP (Bottom)	110	110	105

### Standard connections



### Warning

Do NOT use high voltage testers if ANY equipment is connected to the system.  
Earth screen must be continuous along entire length of the loop.

### Catalogue numbers

Description	Code
Open class VAD	CASB393
Weatherproof open class VAD	CASB393WP