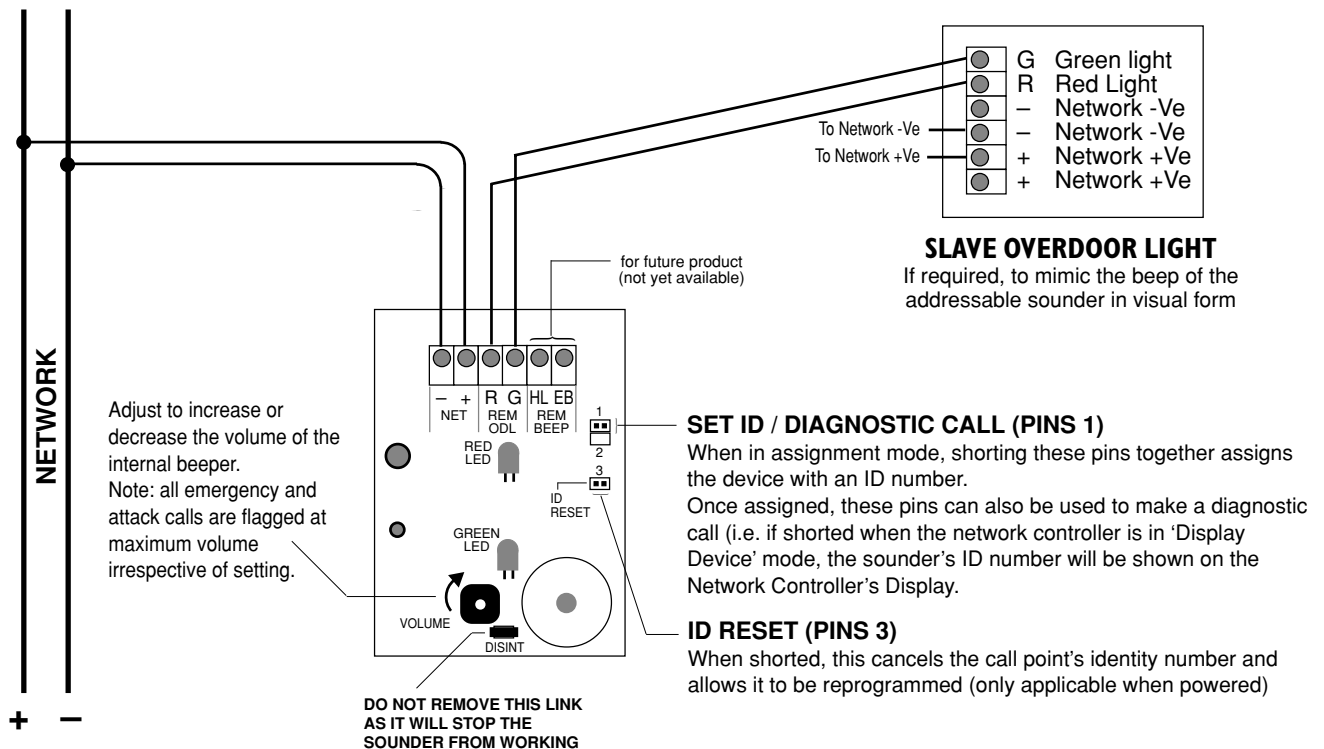


Quantec

QT688 ADDRESSABLE SOUNDER INSTRUCTIONS



IMPORTANT NOTES ON PROGRAMMING:

We recommend the rest of the Quantec system is assigned and tested before assigning addressable sounders.

Step 1 : TO GIVE AN ID NUMBER TO AN UNASSIGNED ADDRESSABLE SOUNDER...

- Refer to the 'Assignment Menu' section of the Quantec Programming Manual .
- When the 'Activate Device' prompt appears, momentarily short the addressable sounder's "SET ID" pins (labelled 1 on the PCB) together. Take care not to short the pins together more than once as this can result in double addressing at the network controller and/or other assignment problems. Refer to the TROUBLESHOOTING section below if you encounter any problems.

Step 2 : TO CHECK AN ADDRESSABLE SOUNDER HAS BEEN ASSIGNED CORRECTLY...

- Use the 'Display Device' feature on the network controller to double check the addressable sounder has been assigned with the correct ID number. The pins labelled '1' are used for this diagnostic feature. Important: the sounder will be recognised by the system as an addressable overdoor light (ZNID) and should be programmed as such (see below).

Step 3 : ZONAL ROUTING

- When you are confident the device has been correctly assigned, set up the zonal routing equation as required. Please note: addressable sounders have no pre-set routing - if a zonal routing equation is not set up, the device will not respond to calls on the system.

TROUBLESHOOTING: If you have trouble assigning this device, try the following:

TO RE-ASSIGN THE ID NUMBER OF A PREVIOUSLY ASSIGNED ADDRESSABLE SOUNDER...

- When the network controller is NOT in assignment mode, short the addressable sounder's "ID RESET" pins (labelled 3 on the PCB) together. This will cause the red and green LEDs on the sounder's PCB to flash and will delete the ID number in the device itself.
- Ensure the device is deleted from the network controller's memory to prevent 'missing device' prompts from appearing.
- Carry out a 'network reset' at the network controller. This will cause the red and green LEDs on the PCB to stop flashing.
- Enter the assignment mode (refer to the 'Assignment Menu' section of the Quantec Programming Manual if required) and when the 'Activate Device' prompt appears, momentarily short the "SET ID" pins (labelled 1 on the PCB) together.
- Refer to 'Step 2' section above.

IF MULTIPLE ADDRESSES HAVE BEEN ENTERED...

This is usually caused by inadvertently shorting the addressable sounder's "SET ID" pins (labelled 1 on the PCB) together more than once when in assignment mode. It will result in the network controller reporting 'device missing' prompts when in normal operation. If this happens, use the 'Display Device' feature on the network controller to confirm the addresses of any addressable sounders on the system. If any are not as expected, delete them from the network controller's memory and, if required, reassign the incorrectly assigned addressable sounder as described above. For further information contact the Technical Department.