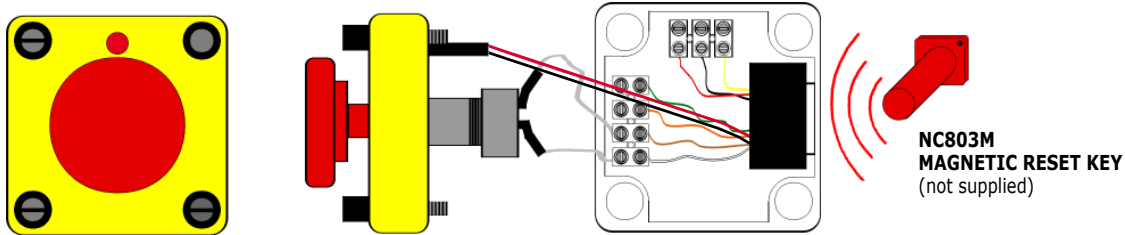


WATER RESISTANT MASTER ALERT POINT

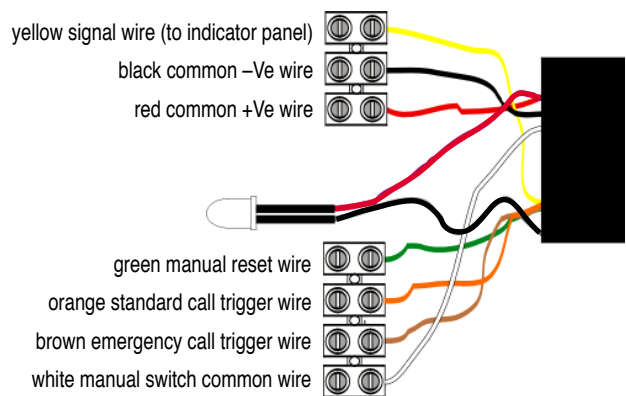


Designed for use with C-TEC's 800 Series Call System, the NC802DEWM is similar in appearance to an emergency stop type button. It's bright colour and water resistant qualities make it ideal for areas where the calling device must be easily identifiable by members of the public and for places where there are high levels of moisture (alongside swimming pools, jacuzzis, changing rooms, etc).

Constructed from a durable polycarbonate material, the unit's IP65 rated switch enclosure comprises a light grey back box, a yellow lid and a large bright red push button. A red confidence LED is provided on the fascia to confirm when a call has been made and a magnetic reset facility is provided on the side of the unit for cancelling calls.

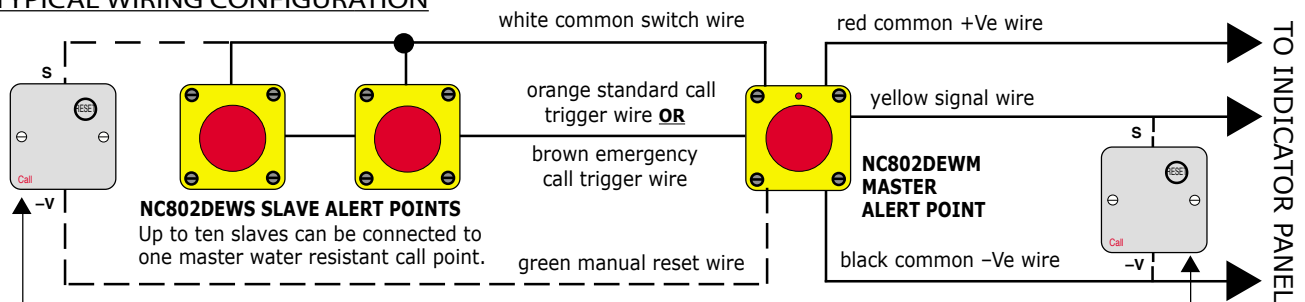
The alert point connects to the call system via the terminal blocks located inside the enclosure, as shown in the diagram (right).

Depending on the wiring configuration used, standard or emergency calls can be triggered from the NC802DEWM. To trigger standard calls, connect the orange and white wires to the switch's normally open contacts. To trigger emergency calls, connect the brown and white wires to the contacts.



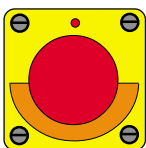
The remaining wires should be connected as shown in the Typical Wiring Configuration diagram below. Unused wires should always be terminated properly to ensure correct operation. Optional slave water resistant alert points (order code NC802DEWS) and remote reset points are also available for even greater flexibility. These should be connected to the NC802DEWM as shown below. Take care not to trap any wires when securing the alert point's front to it's back box.

TYPICAL WIRING CONFIGURATION



Optional manual remote reset point, for use in addition to (or instead of) the NC802DEWM's built-in magnetic reset facility. This reset point will reset standard and emergency calls. This device is not water resistant.

Optional manual remote reset point, for use in addition to (or instead of) the NC802DEWM's built-in magnetic reset facility. This reset point will reset standard calls only. This device is not water resistant.



Two stickers are provided with the NC802DEWM for labelling purposes, one reading 'Call for Assistance', the other reading 'Push for EMERGENCY'.

If the alert point is to be used by members of the public we strongly advise that the appropriate sticker is applied to the alert point's fascia, as shown in the diagram (above left) to explain how the device is operated.

Important: The NC802DEWM's enclosure is IP65 rated and offers the following protection against dust and water:-

- 6** Totally protected against dust.
- 5** Protected against low pressure jets of water from all directions - limited ingress permitted.

Note: Poor cable glanding and/or sealant procedures can have a detrimental affect on the water resistance of this product.

The operating temperature range of this product is 0°C to 40°C.